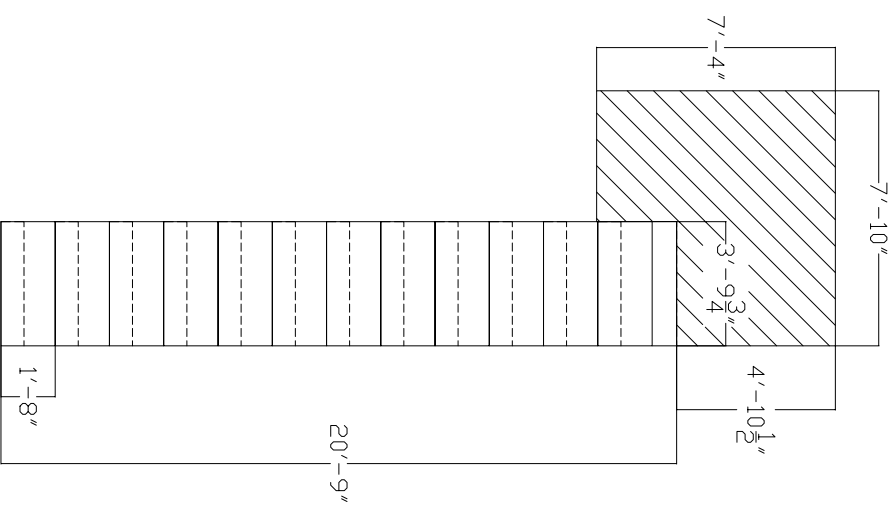
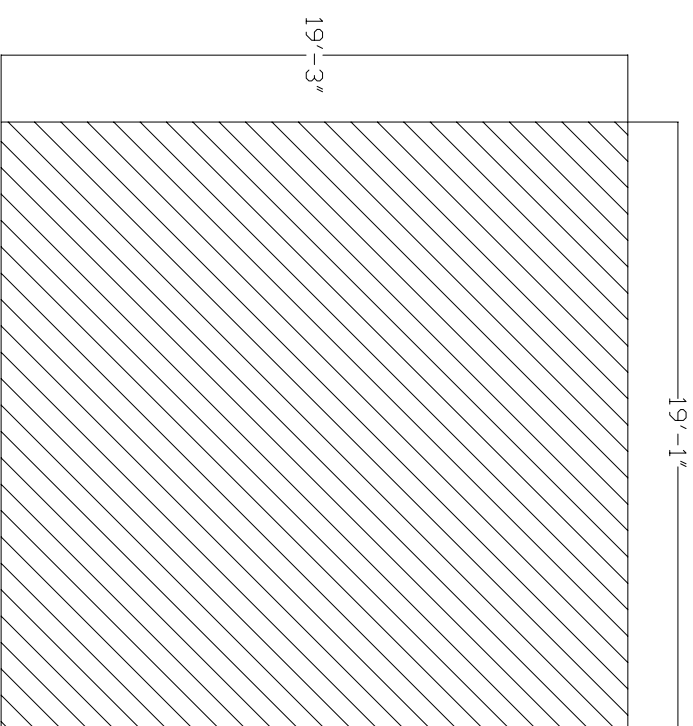


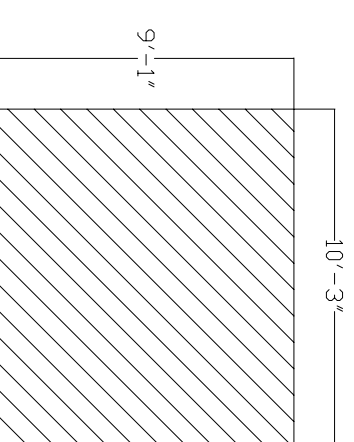
Living Room
 397 Sq Ft
 + 10% = 437 Sq Ft



Stairs
 128 Sq Ft
 + 10% = 141 Sq Ft



Master BR
 370 Sq Ft
 + 10% = 407 Sq Ft



Master BR Closet
 94 Sq Ft
 + 10% = 104 Sq Ft

Total Sq ft
 989 Sq Ft
 + 10% = 1088 Sq Ft